

**ULTIMATE
AUDIO**



ultimate.ua

XCT 3 NEO
2,5" Super Tweeter

**ULTIMATE
AUDIO**



TWEET

XCT 3 NEO
2,5" Super Tweeter

Impedance: 4 Ohm

Power: 50W RMS

Sensitivity: 108 dB

Frequency Responce: 2000 - 20 000 Hz

USER MANUAL

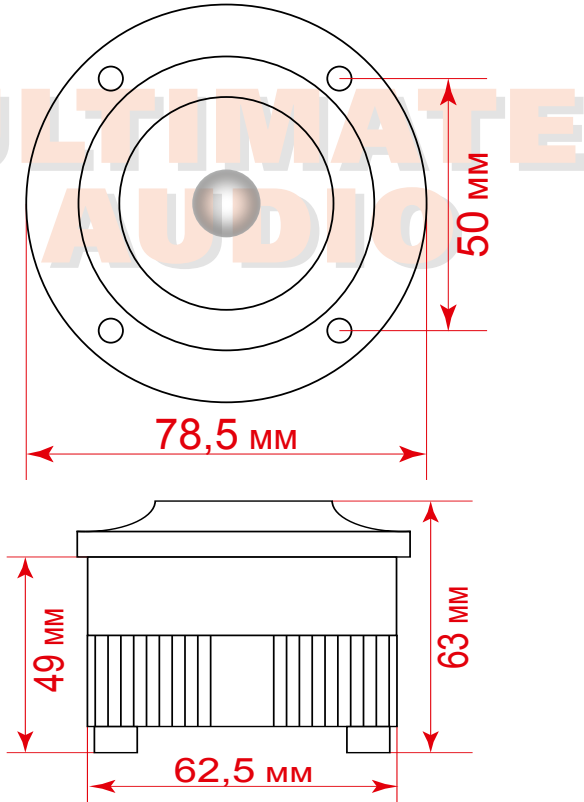
**ULTIMATE
AUDIO**



XCT 3 NEO

2,5" Super Tweeter

Overall Diameter 79 mm
Baffle Cutout Diameter 63,5 mm
Depth 49 mm
Minimum Impedance 4 Ohm
Rms Power Handling 50 W
Sensitivity (1w/1m) 108 dB
Frequency Response 2000 - 20 000 HZ
Voice Coil Diameter 25,4 MM
Magnet 24,5*7, N38
Basket Material Aluminum



Impedance vs Freq

