

**ULTIMATE  
AUDIO**



**ultimate.ua**

**TW 69**

**6 x 9" 3 Way Car Speaker**

**ULTIMATE  
AUDIO**



**COAXIAL**

**TW 69**

**6 x 9" 3 Way Car Speaker**

**Impedance: 4 Ohm**

**Power: 100W RMS/200W MAX**

**Sensitivity: 93 dB**

**Frequency Response: 55 - 20 000 Hz**

**USER MANUAL**

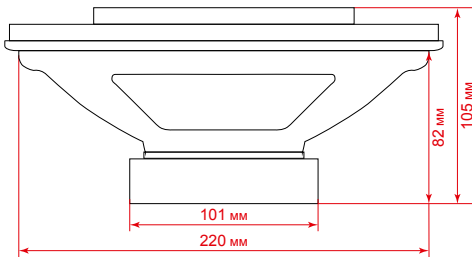
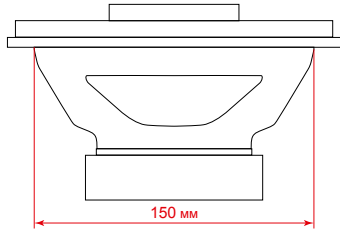
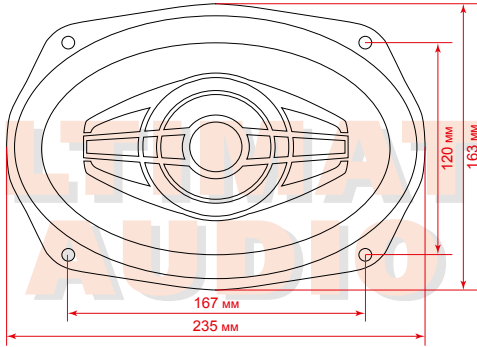
# ULTIMATE AUDIO



# TW 69

## 6 x 9" 3 Way Car Speaker

Overall Diameter ..... 235 x 163 mm  
Baffle Cutout Diameter ..... 220 x 144 mm  
Depth ..... 54 mm  
Minimum Impedance ..... 4 Ohm  
Rms Power Handling ..... 100 W  
Maximum Power Handling ..... 200 W  
Sensitivity (1w/1m) ..... 93 dB  
Frequency Response ..... 55 - 20 000 HZ  
Voice Coil Diameter ..... 38,6 MM  
Magnet ..... 120\*20,30 Oz  
Basket Material ..... Steel



**Impedance vs Freq**

