

**ULTIMATE  
AUDIO**



**ultimate.ua**

**TW 6**  
**6,5" 3 Way Car Speaker**

**ULTIMATE  
AUDIO**



**COAXIAL**

**TW 6**  
**6,5" 3 Way Car Speaker**

**Impedance: 4 Ohm**

**Power: 140W RMS**

**Sensitivity: 91 dB**

**Frequency Response: 65 - 20 000 Hz**

**USER MANUAL**

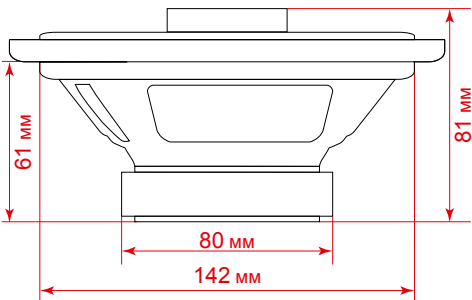
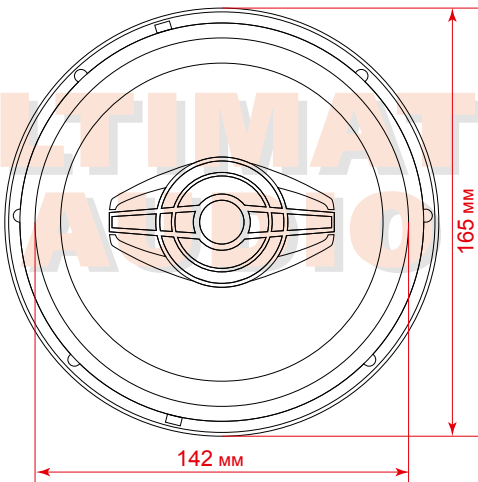
**ULTIMATE  
AUDIO**



# TW 6

## 6,5" 3 Way Car Speaker

Overall Diameter ..... 165 mm  
Baffle Cutout Diameter ..... 142 mm  
Depth ..... 61 mm  
Minimum Impedance ..... 4 Ohm  
Rms Power Handling ..... 70 W  
Maximum Power Handling ..... 140 W  
Sensitivity (1w/1m) ..... 91 dB  
Frequency Response ..... 65 - 20 000 HZ  
Voice Coil Diameter ..... 38,6 MM  
Magnet ..... 90\*15,15 Oz  
Basket Material ..... Steel



**Ratio vs Freq**

