

**ULTIMATE  
AUDIO**



**ultimate.ua**

**JCW 6**  
**6,5" Midrange Speaker**

**ULTIMATE  
AUDIO**



**MID**  
**RANGE**

**JCW 6**  
**6,5" Midrange Speaker**

**Impedance: 4 Ohm**

**Power: 80W RMS**

**Sensitivity: 96 dB**

**Frequency Responce: 150 - 7 000 Hz**

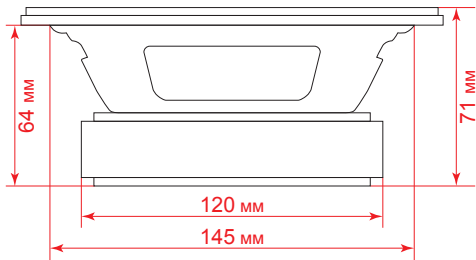
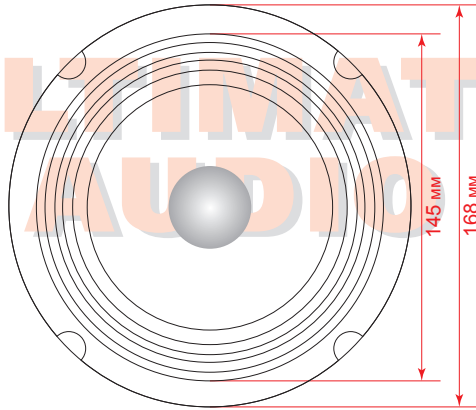
**USER MANUAL**



# JCW 6

## 6,5" Midrange Speaker

- Overall Diameter ..... 168 mm
- Baffle Cutout Diameter ..... 144 mm
- Depth ..... 66 mm
- Minimum Impedance ..... 4 Ohm
- Rms Power Handling ..... 80 W
- Maximum Power Handling ..... 160 W
- Sensitivity (1w/1m) ..... 96 dB
- Frequency Response ..... 150 - 7000 HZ
- Voice Coil Diameter ..... 38,6 MM
- Magnet ..... 120\*60\*20, Y30 30 OZ
- Basket Material ..... Steel



**Impedance vs Freq**

