

**ULTIMATE
AUDIO**



ultimate.ua

XCT 1
3" Super Tweeter

**ULTIMATE
AUDIO**



TWEET

XCT 1
3" Super Tweeter

Impedance: 4 Ohm

Power: 40W RMS

Sensitivity: 103 dB

Frequency Responce: 2500 - 20 000 Hz

USER MANUAL

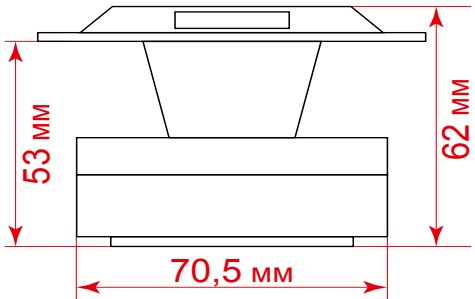
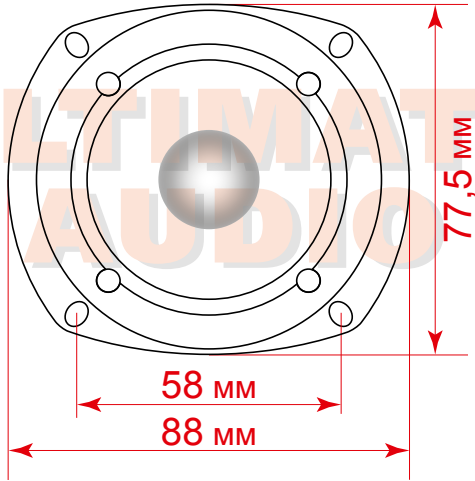
**ULTIMATE
AUDIO**



XCT 1

3" Super Tweeter

Overall Diameter95 mm
Baffle Cutout Diameter78 mm
Depth..... 54 mm
Minimum Impedance..... 4 Ohm
Rms Power Handling 40 W
Sensitivity (1w/1m)..... 103 dB
Frequency Response..... 2500 - 20 000 HZ
Voice Coil Diameter 25,4 MM
Magnet..... 70*32*15, Y30
Basket Material..... Aluminum



Impedance vs Freq

